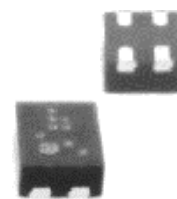


Temperature Switch IC with Hysteresis

MM3488



Outline

This IC is a temperature switch IC that senses the ambient temperature of the IC and switches the IC output at the detected temperature (active high, active low), and has the hysteresis function. The detection temperature (TDET) can be selected in 1.0°C steps between 25 °C to 90 °C high temperature detection type and between -20 to +24 °C low temperature detection type, with detection temperature accuracy of ±2.0°C.

Applications

Wearable	Flat TV	PC Display
Smart Phone	Digital camera	
Tablet PC	Digital Video Camera	

Features

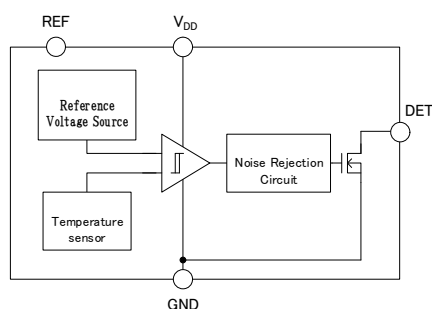
- ① High Temperature accuracy ±2.0°C
- ② Low current consumption ∙∙∙1.5μA typ
- ③ Small Package ∙∙∙SSON-4B
- ④ Hysteresis : ※Ex. High temperature type

•Active High	•Active Low
MM3488A ∙∙∙5°C	MM3488G ∙∙∙5°C
MM3488B ∙∙∙10°C	MM3488H ∙∙∙10°C
MM3488C ∙∙∙15°C	MM3488I ∙∙∙15°C

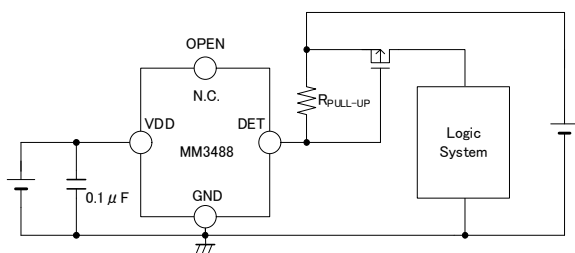
Specification

Item	Specification	Unit
Operation temperature	-30 ~ +105	°C
Operating voltage	1.6 ~ 5.0 (+60~+90°C)	V
	2.2 ~ 5.0 (-20~+60°C)	
Supply current	1.5 (typ.)	μA
Temperature accuracy	-2.0 to 2.0 (1.6V~3.3V)	°C
	-1.5 to 2.5 (3.3V~5.0V)	
Hysteresis temperature	5.0 (T _{HYS} =5°C typ.)	°C
	10.0 (T _{HYS} =10°C typ.)	
	15.0 (T _{HYS} =15°C typ.)	

Block Diagram



Application circuit



Package

SSON-4B

